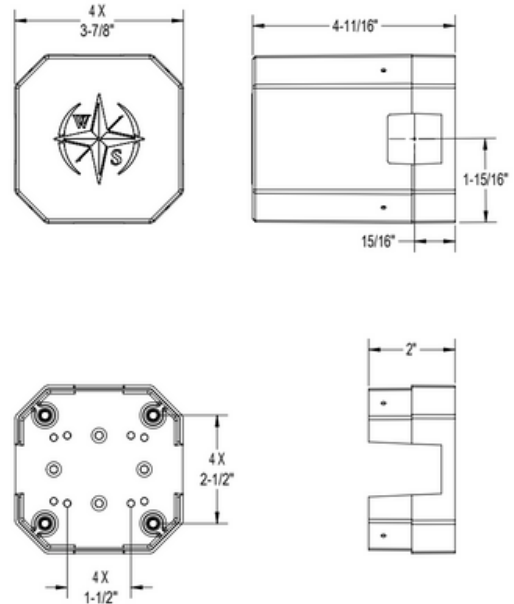


ROUGH IN BOX, MULTI-USE Model # 10122



BEFORE YOU BEGIN YOUR INSTALLATION:



Turn off water supply.



Observe all local plumbing codes.



Inspect plumbing for signs of damage. Replace as necessary.



DO NOT use petroleum based products on this faucet.

REQUIRED TOOLS AND MATERIALS:



Phillips Screwdriver



1 /4" Hex Key Wrench



Adjustable Wrench



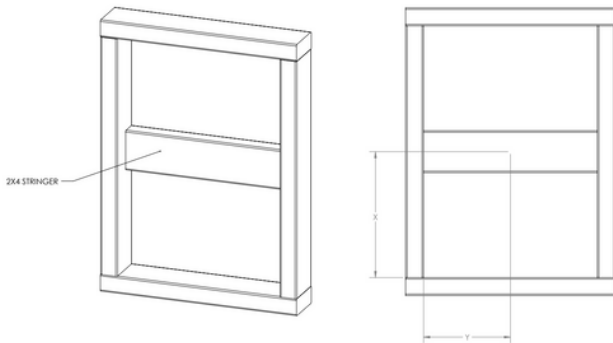
Drill

WARNING: Cancer and reproductive harm -see www.P65Warnings.ca.gov

IMPORTANT

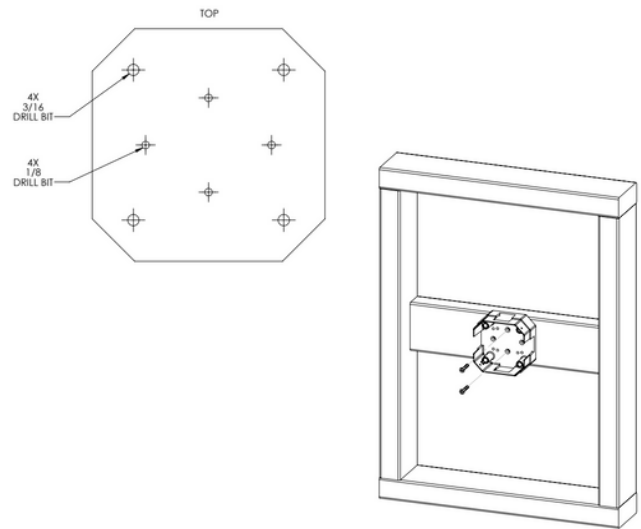
- Read these instructions and plan the installation before beginning.
- Risk of product damage. Do not apply direct heat to the valve. Excessive heat will damage the plastic components and plaster guard. •A mixed water supply is required for this product.
- Component location, spacing, and situational requirements can vary.

1



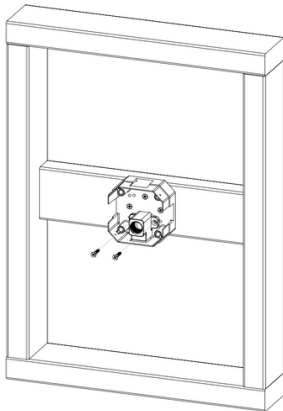
Once the installation location of the product has been determined, mount a 2x4 stringer horizontally between the two wall studs. Ensure the height of the stringer center is centered on the intended height of the product.

2



Use provided template to predrill necessary holes for installation.

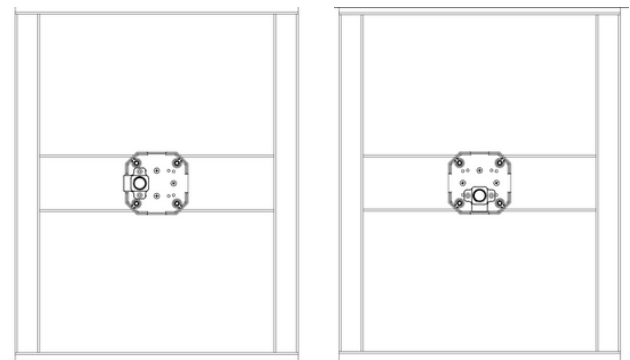
3



Verify square nuts are on all four corners of the back of the rough-in box. Use two #8 x 1-1/4 long flat head wood screws through the middle top and bottom holes of the box to secure it to the stringer. Ensure the box is level and plumb, if not the trim plate will not mount properly.

Use two more #8 x 1-1/4 long flat head wood screws finish securing the rough-in box to the stringer.

4



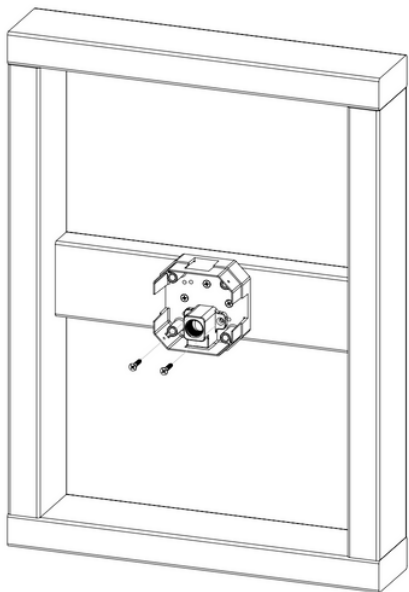
Option A

Option B

Depending on what product you will be using the rough-in box for will determine which orientation to mount the elbow. If you are installing to be used for the 10103 (Retractable wheel) use option

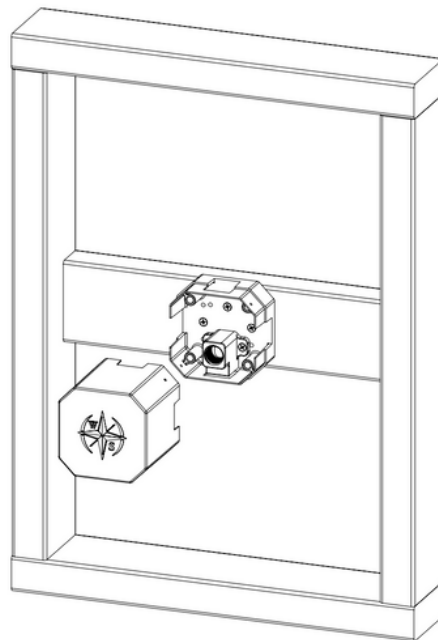
A. If installing to be used for either the 10106 (Wall mounted tub filler) OR the 10108 (Wall mounted shower arm) use option B

5



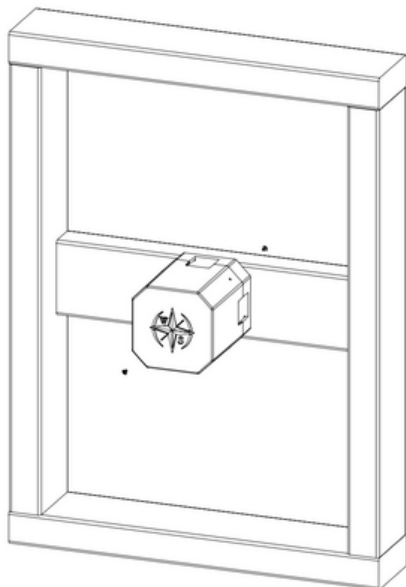
Once the elbow location has been determined, use two #8 x 1 in long flat head wood screws to secure the elbow to the box. (Example shown is for Option A)

6



Install the mud cover over the mounted rough-in box.

7



Use the two provided #4 plastic screws to secure the mud cover to the rough-in box.



1-888-304-0660 • 951-304-0520

www.waterstoneco.com