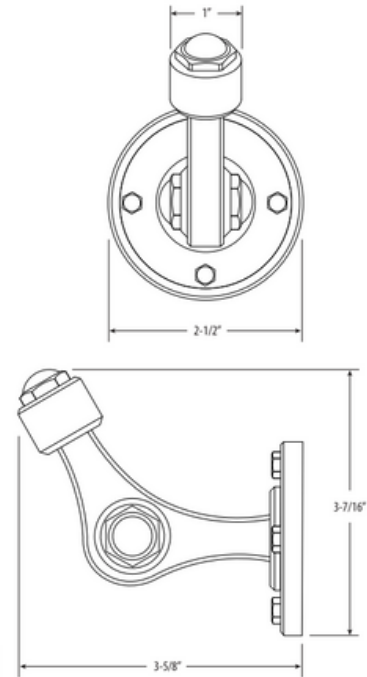


ROBE HOOK, SINGLE Model # AG301-1



BEFORE YOU BEGIN YOUR INSTALLATION:



Turn off water supply.



Observe all local plumbing codes.



Inspect plumbing for signs of damage. Replace as necessary.



DO NOT use petroleum based products on this faucet.

REQUIRED TOOLS AND MATERIALS:



Phillips Screwdriver



1 /4" Hex Key Wrench



Adjustable Wrench



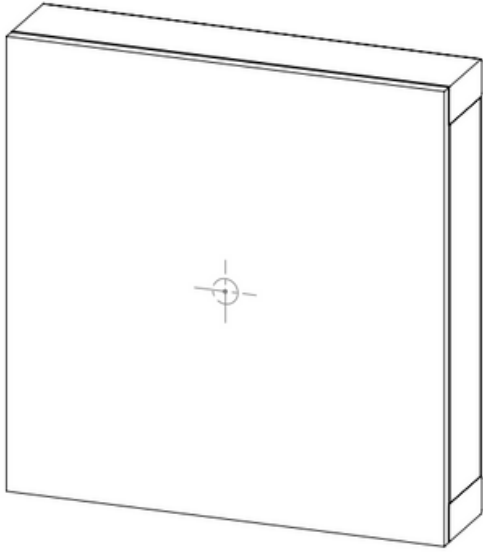
Drill

WARNING: Cancer and reproductive harm -see www.P65Warnings.ca.gov

IMPORTANT

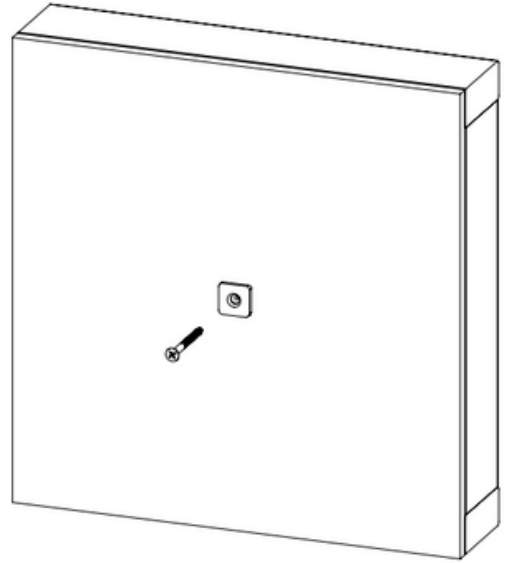
- Read these instructions and plan the installation before beginning.
- Risk of product damage. Do not apply direct heat to the valve. Excessive heat will damage the plastic components and plaster guard. •A mixed water supply is required for this product.
- Component location, spacing, and situational requirements can vary.

1



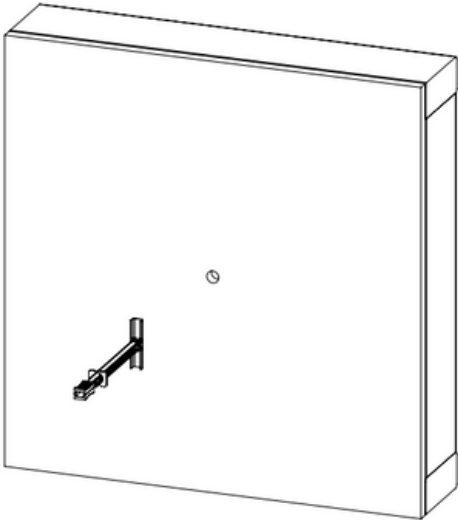
Determine desired location of Single robe hook and mark wall.

2



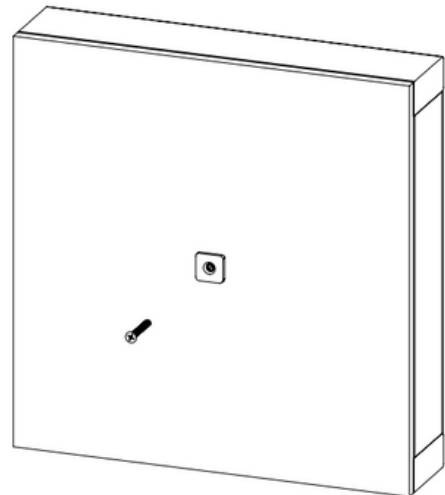
Using a 1/8" drill bit, predrill a hole on the center mark.

3A



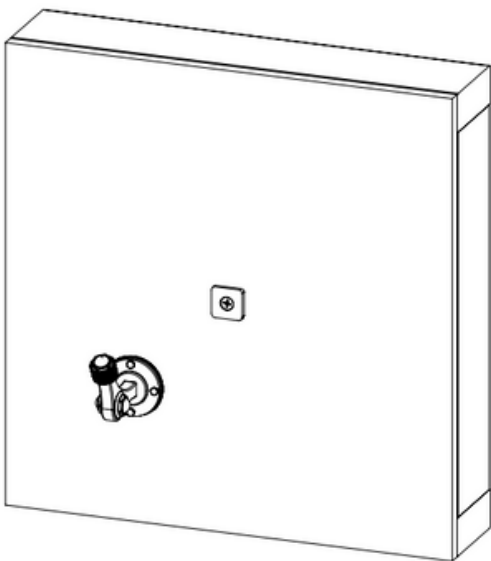
(STUD): Place the mounting tab with the groove facing down and the counter sink facing away from the wall. Use the supplied wood screw and fasten the tab to the wall.

3B



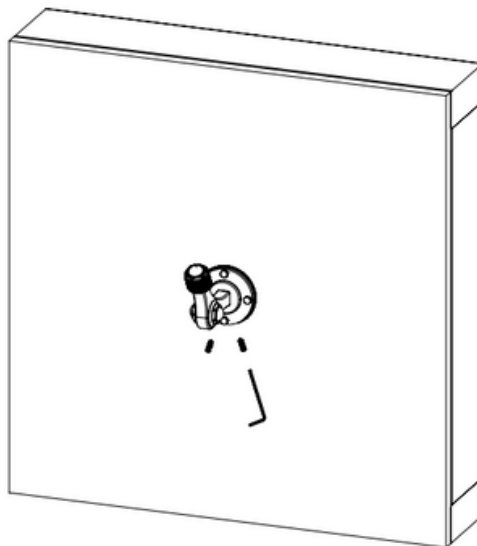
(DRYWALL): If there is no stud to mount to, drill a 1/2" hole to push the supplied toggle through. Once the toggle is through the wall, slide the cap down the straps until it is flush with the finish wall. Snap off the excess from the straps.

4



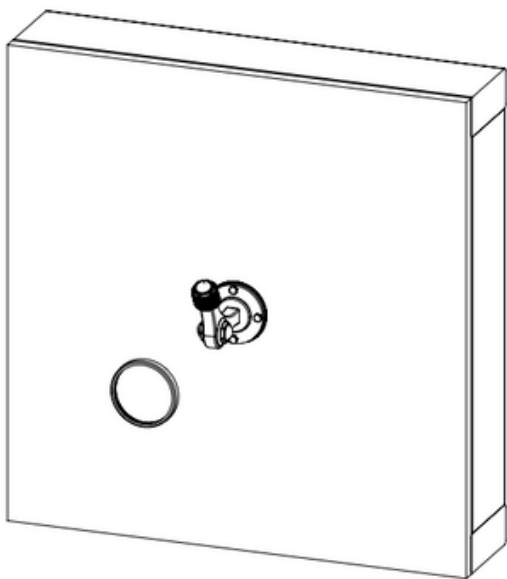
(DRYWALL): Using the provided ¼-20 machined screw, secure the mounting tab to the finish wall with the groove facing down.

5



Place the robe hook onto the mount. Using the provided hex key, tighten the set screws down to secure the robe hook to the mounting tab.

6



Carefully slide the escutcheon over the robe hook and thread onto the base.



1-888-304-0660 • 951-304-0520

www.waterstoneco.com