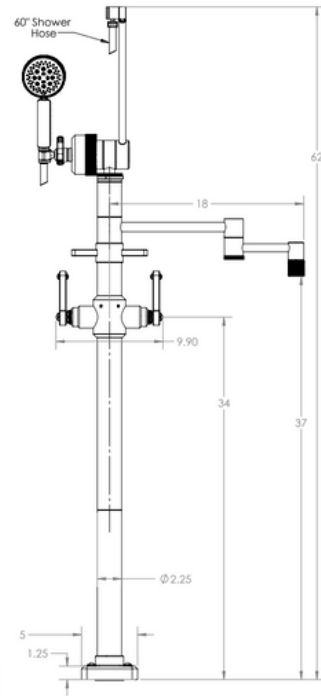


FLOOR MOUNT, TUB FILLER Model # AG245-1



BEFORE YOU BEGIN YOUR INSTALLATION:



Turn off water supply.



Observe all local plumbing codes.



Inspect plumbing for signs of damage. Replace as necessary.



DO NOT use petroleum based products on this faucet.

REQUIRED TOOLS AND MATERIALS:



Phillips Screwdriver



1 /4" Hex Key Wrench



Adjustable Wrench



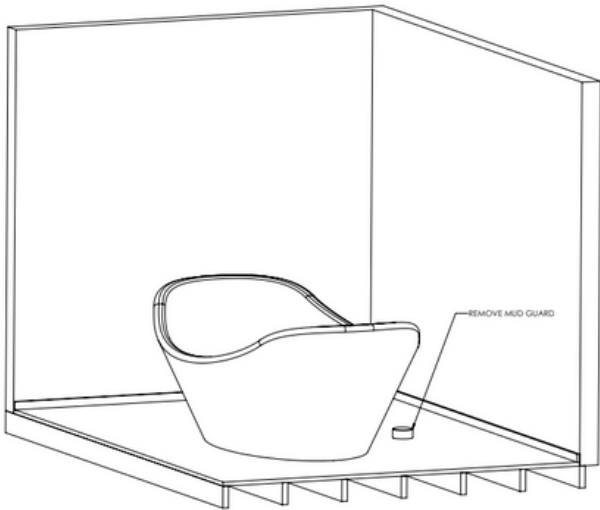
Drill

WARNING: Cancer and reproductive harm -see www.P65Warnings.ca.gov

IMPORTANT

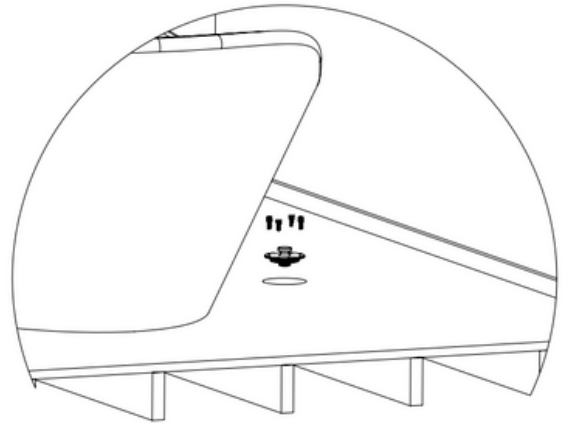
- Read these instructions and plan the installation before beginning.
- Risk of product damage. Do not apply direct heat to the valve. Excessive heat will damage the plastic components and plaster guard. •A mixed water supply is required for this product.
- Component location, spacing, and situational requirements can vary.

1



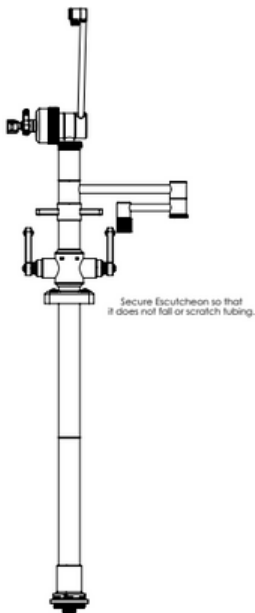
Remove Mud Guard from Valve

2



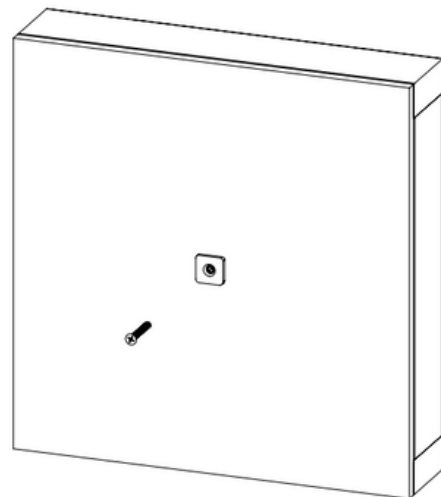
Remove Valve Plug

3



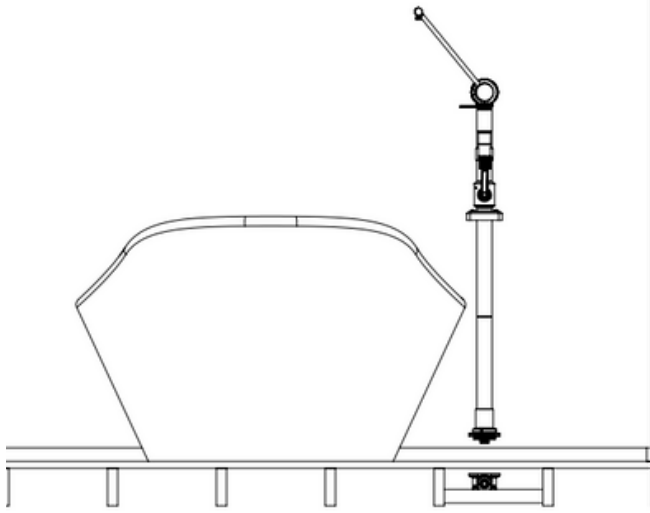
Prep tub filler for installation by raising the escutcheon and securing it so that it does not scratch the tubing.

4



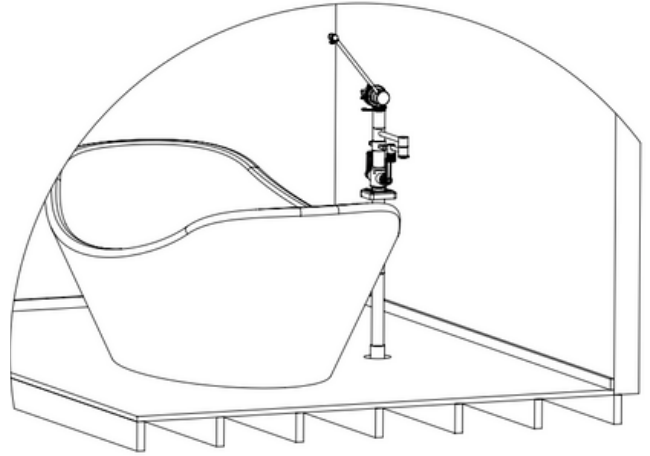
Grease O-rings on bottom of tub filler.

5



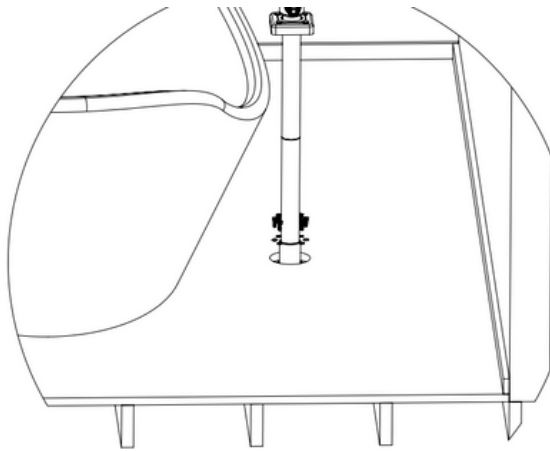
Place tub filler on valve.

6



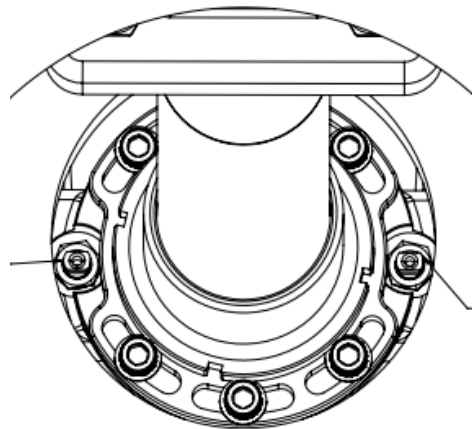
Adjust alignment until desired orientation is achieved.

7



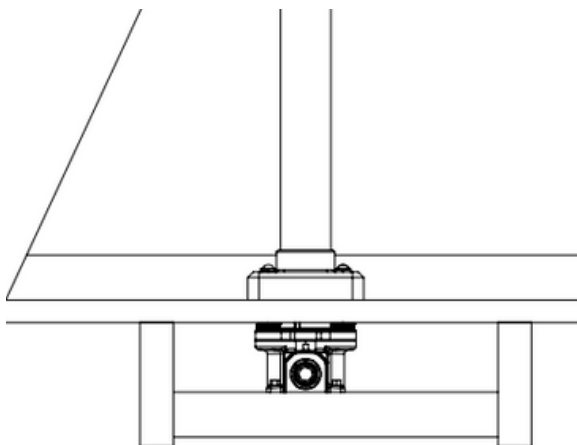
Use provided socket head screws and serrated washers to fasten tub filler to valve.

8



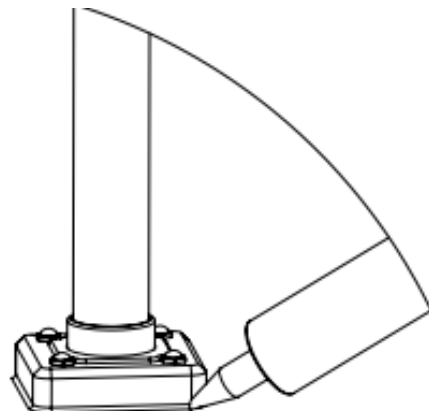
Open both hot and cold shut offs on rough-in valve.

9



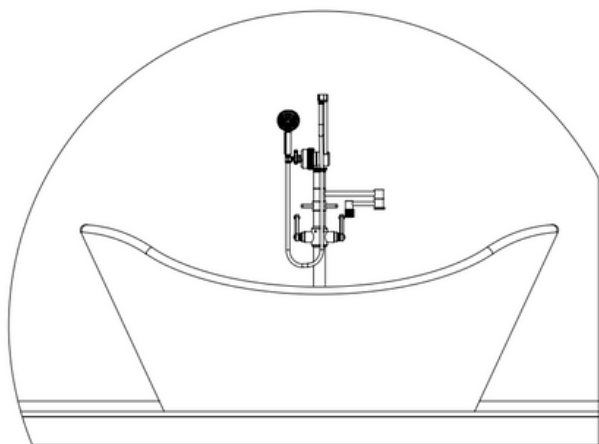
Slide the Escutcheon down to the floor.

10



Place a small bead of caulk around the base to seal the floor.

11



Install the Hose and place Hand Shower in the Cradle.



1-888-304-0660 • 951-304-0520

www.waterstoneco.com