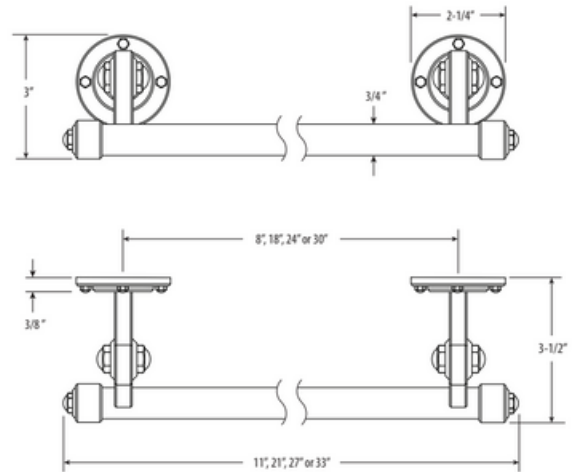


8", 18", 24", 30" Towel Bars

Model #

AG308-1, AG318-1,

AG324-1, AG330-1



BEFORE YOU BEGIN YOUR INSTALLATION:



Turn off water supply.



Observe all local plumbing codes.



Inspect plumbing for signs of damage. Replace as necessary.



DO NOT use petroleum based products on this faucet.

REQUIRED TOOLS AND MATERIALS:



Phillips Screwdriver



1 /4" Hex Key Wrench



Adjustable Wrench

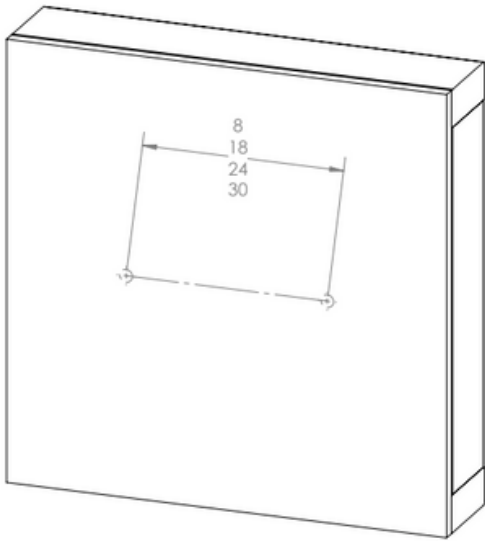


Drill

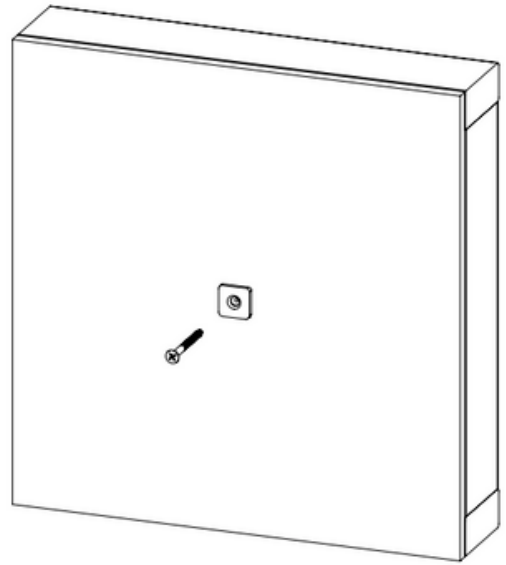
WARNING: Cancer and reproductive harm -see www.P65Warnings.ca.gov

IMPORTANT

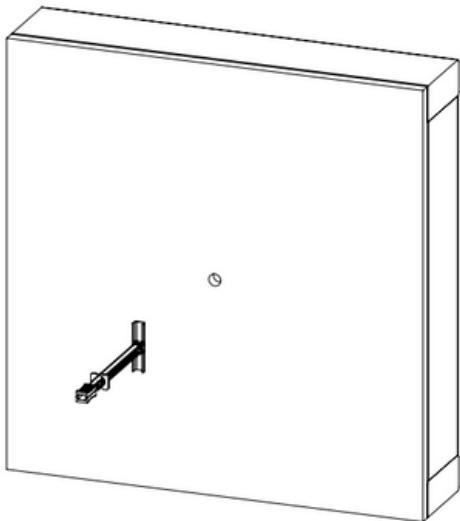
- Read these instructions and plan the installation before beginning.
- Risk of product damage. Do not apply direct heat to the valve. Excessive heat will damage the plastic components and plaster guard. •A mixed water supply is required for this product.
- Component location, spacing, and situational requirements can vary.

1

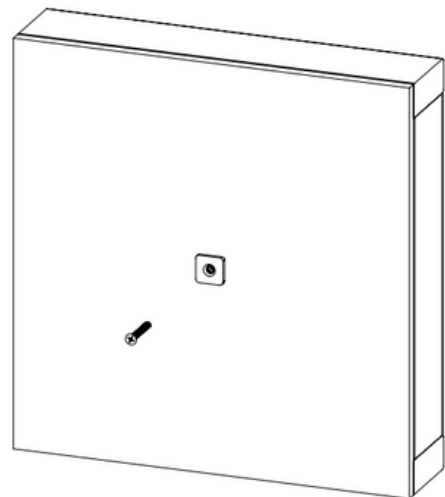
Determine desired install location. Mark locations of center to center. (Center to center will be dependent upon the towel bar length. 8", 18", 24" or 30".)

2

Using a 1/8" bit, predrill a hole in the previously marked location.

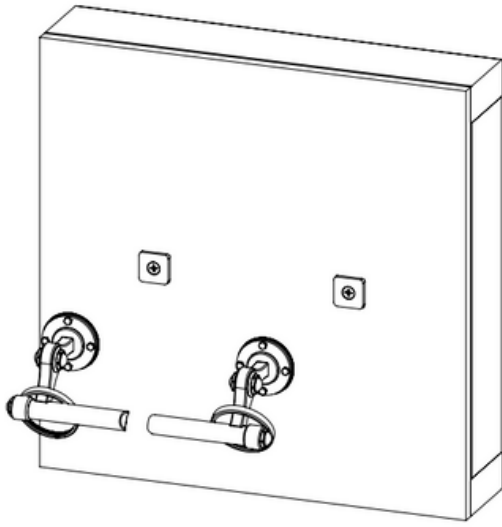
3A

(Stud): If mounting to a stud, use the provided wood screw and fasten the mounting tab to the wall. (Ensure the mounting tab is level with the groove facing down.)

3B

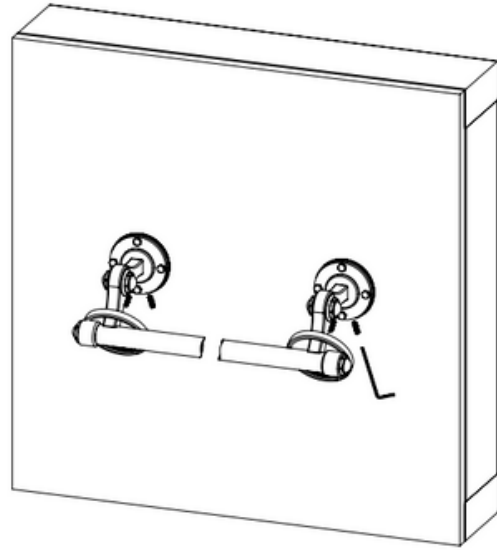
(Drywall): If there is no stud to mount to, drill a 1/2" hole to push the supplied toggle through. Once the toggle is through the wall, slide the cap down the straps until it is flush with the finish wall. Snap off the excess from the straps.

4



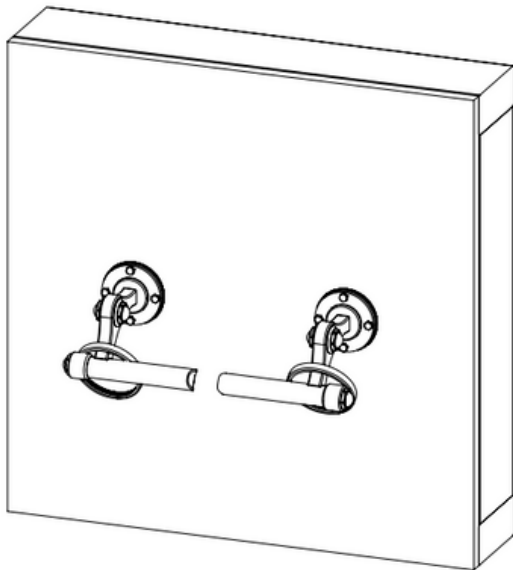
Place the towel bar onto the mounting tabs.

5



Using the provided hex key, tighten the set screws down to secure the robe hook to the mounting tab.

6



Carefully install both escutcheon rings onto the towel bar bases.



1-888-304-0660 • 951-304-0520

www.waterstoneco.com