

# SLIDE BAR HAND SHOWER INSTALLATION

Model #:  
AG255-1



## BEFORE YOU BEGIN YOUR INSTALLATION:

1



Turn off water supply.

2



Observe all local plumbing codes.

3



Inspect plumbing for signs of damage. Replace as necessary.

4



**DO NOT** use petroleum based products on this faucet.

## REQUIRED TOOLS AND MATERIALS:



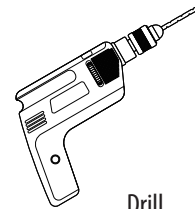
Phillips Screwdriver



1/4" Hex Key Wrench



Adjustable Wrench



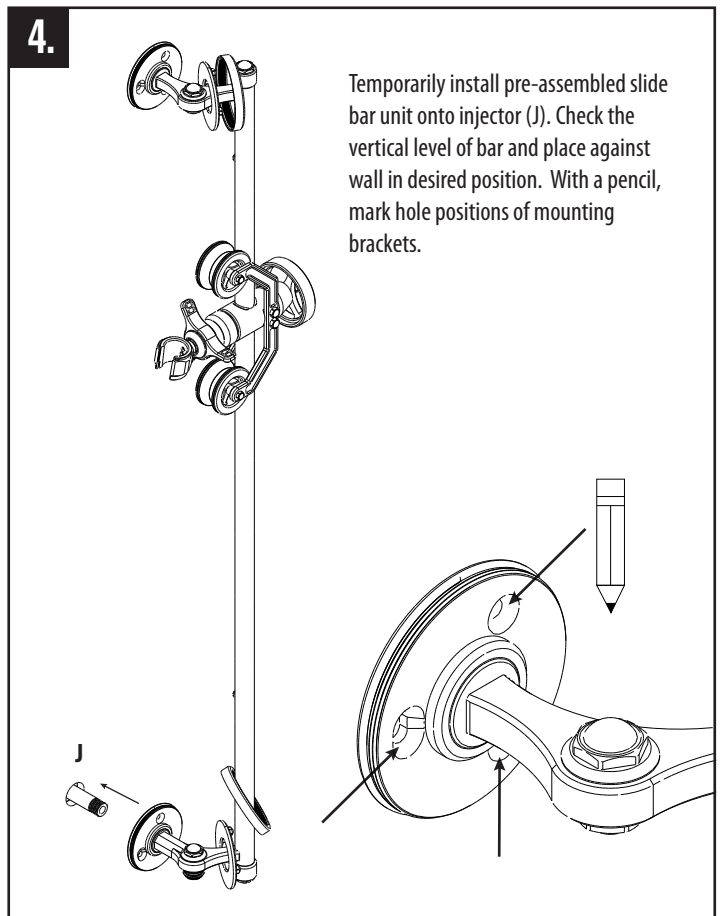
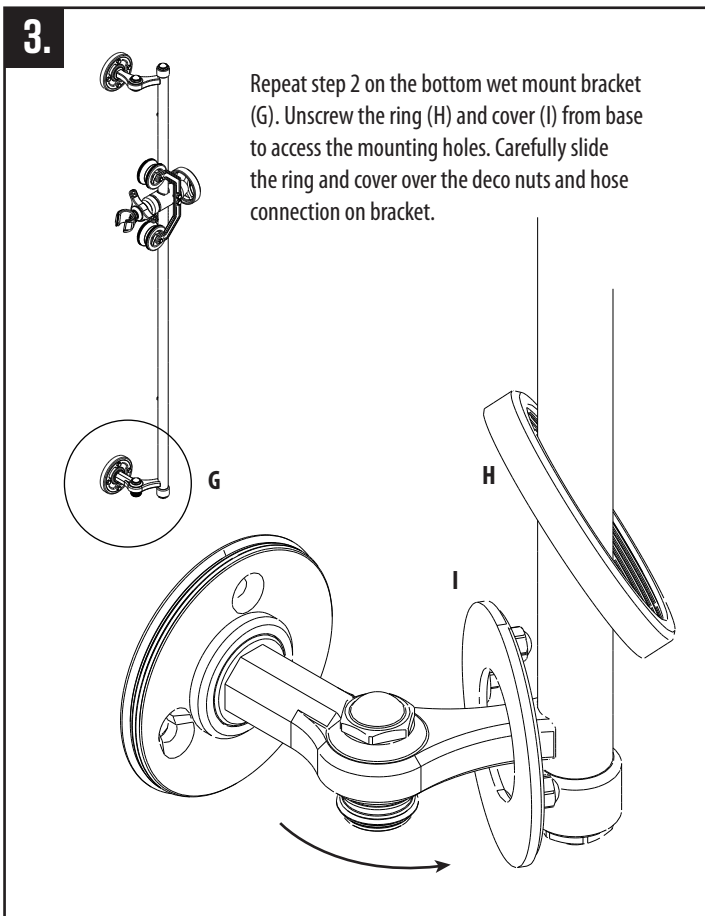
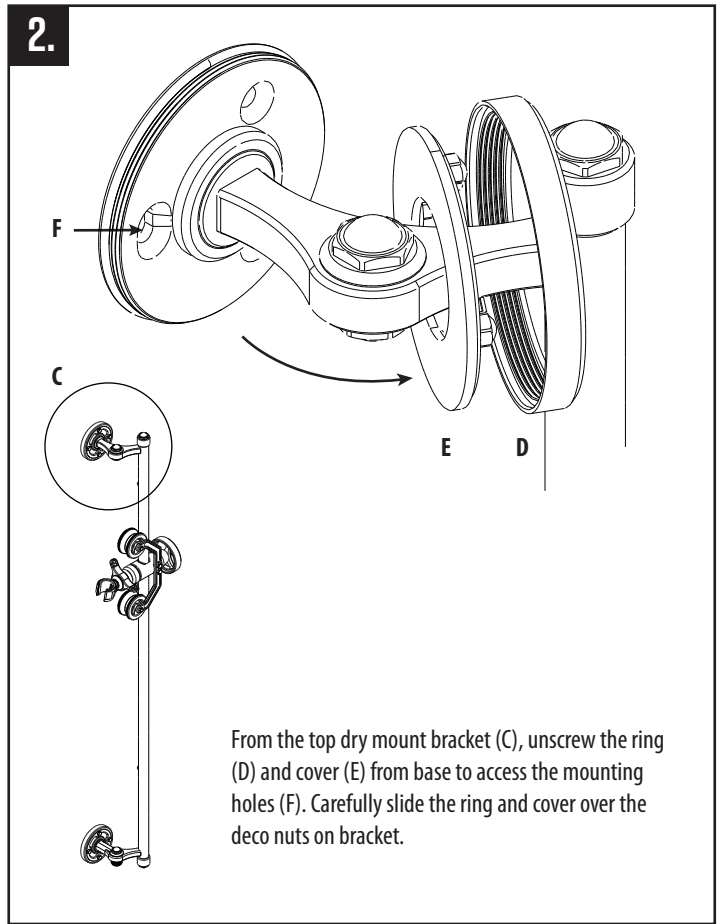
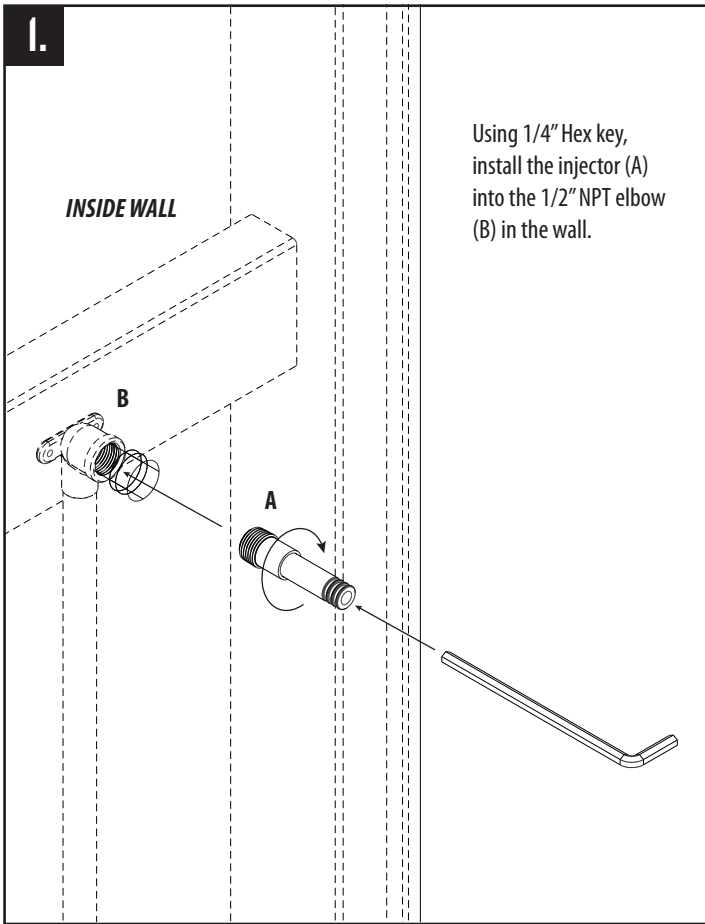
Drill

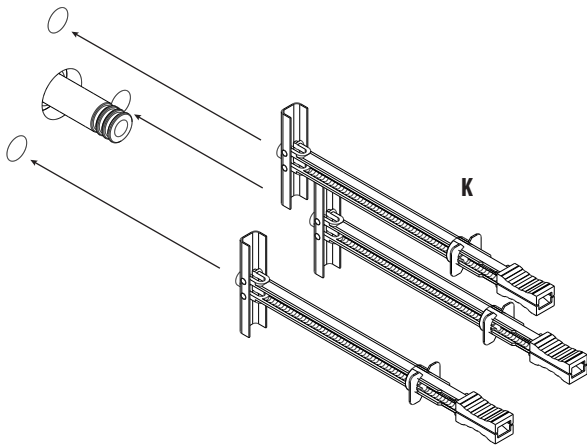
**WARNING:** Cancer and reproductive harm - see [www.P65Warnings.ca.gov](http://www.P65Warnings.ca.gov)

### IMPORTANT!

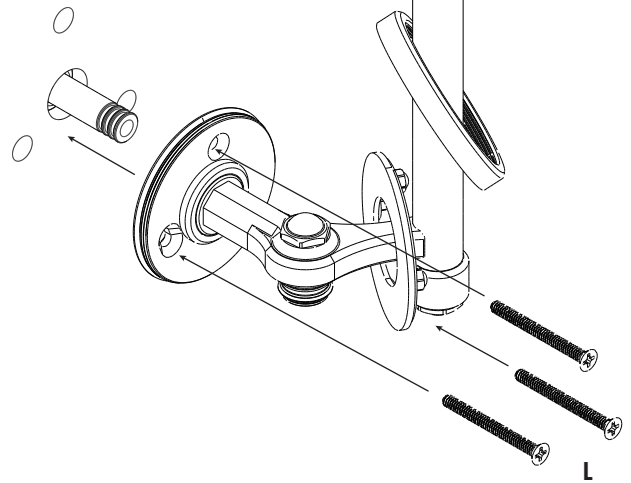
- Read these instructions and plan the installation before beginning.
- Risk of product damage. Do not apply direct heat to the valve. Excessive heat will damage the plastic components and plaster guard.
- A mixed water supply is required for this product.
- Component location, spacing, and situational requirements can vary.

# SLIDE BAR HAND SHOWER INSTALLATION

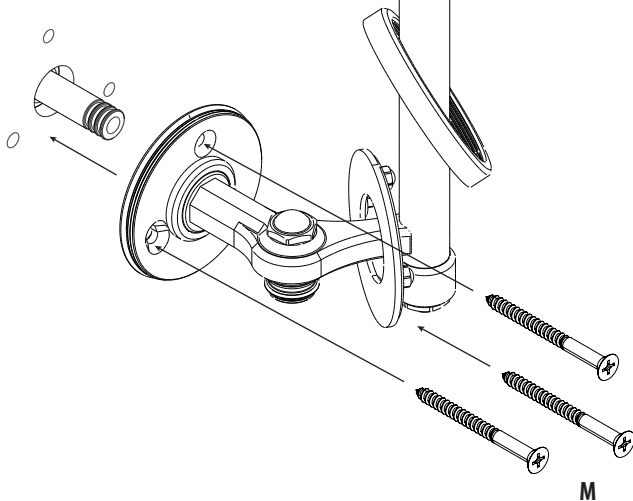


**5.****DRY WALL INSTALLATION**

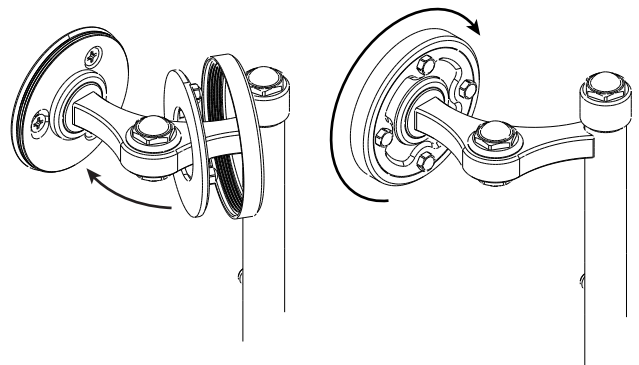
Remove the slide bar from wall and set aside. If there is no stud behind the back plate, utilize the provided high strength toggle anchors (K). Drill a 1/2" hole to push the toggle through. **CAUTION: DO NOT DRILL TOO FAR, WATER LINES AND ELBOW ARE INSIDE THE FINISHED WALL.** Once the toggle is through the wall, slide the cap down the straps until it is flush with the finish wall. Snap off the excess from the straps.

**6.****DRY WALL INSTALLATION**

Apply non-petroleum based lubricant on the O-rings of the injector. Slide bottom bracket over the injector, ensure that it is level. Using the provided machine screws (L), secure both the dry and wet brackets to the finish wall using the toggle anchors.

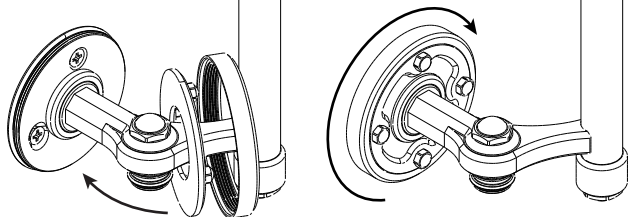
**7.****WOOD MOUNT INSTALLATION**

Drill through the tile with 1/8" masonry drill bit. **IMPORTANT:** Stop drilling once you get to the backer board. Apply non-petroleum based lubricant on the O-rings of the injector. Slide bottom bracket over the injector and ensure the slide bar is level. Use the provided wood screws (M) and mount both dry and wet brackets securely to the finished wall.

**8.**

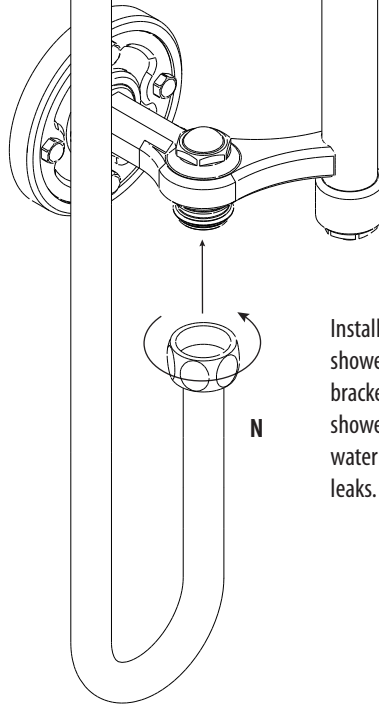
From the top dry bracket, carefully slide the ring and cover back over the deco nuts and screw onto base until snug.

9.



Repeat step 8 on the bottom wet mount bracket. Carefully slide the ring and cover back over the deco nuts and screw onto base until snug.

10.



Install hose (N) and handheld shower to bottom wet mount bracket. Place the handheld shower onto the cradle. Turn water back on and check for leaks.