



# THERMOSTATIC 3/4" SHOWER TRIM W/ VOLUME CONTROL INSTALLATION

Model #:  
AG221-1



## BEFORE YOU BEGIN YOUR INSTALLATION:

1



Turn off water supply.

2



Observe all local plumbing codes.

3



Inspect plumbing for signs of damage. Replace as necessary.

4



**DO NOT** use petroleum based products on this faucet.

## REQUIRED TOOLS AND MATERIALS:



Phillips Screwdriver



Adjustable Wrench



Hex Key Wrench



Socket Wrench

**WARNING:** Cancer and reproductive harm - see [www.P65Warnings.ca.gov](http://www.P65Warnings.ca.gov)

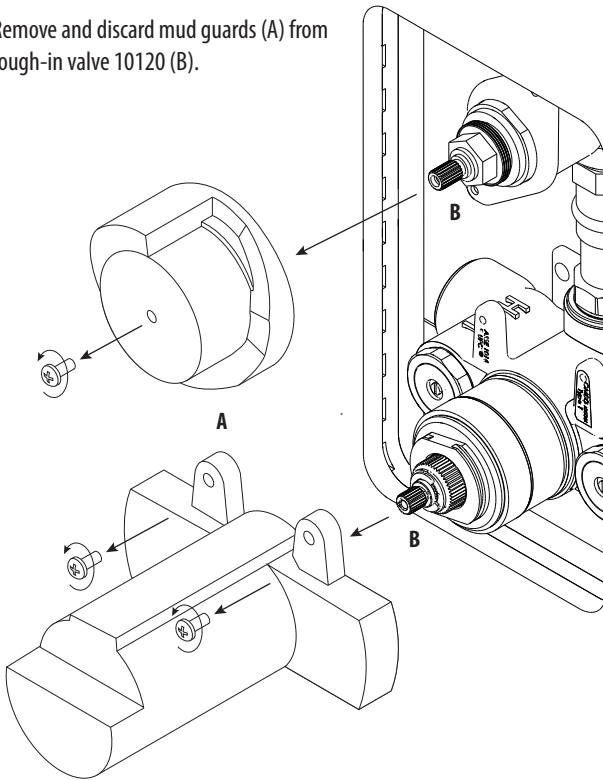
### IMPORTANT!

- Read these instructions and plan the installation before beginning.
- Risk of product damage. Do not apply direct heat to the valve. Excessive heat will damage the plastic components and plaster guard.
- Do not remove the plaster guard until instructed to do so.
- A hot and cold water supply is required for this valve.
- Component location, spacing, and situational requirements can vary.

# THERMO TRIM INSTALLATION

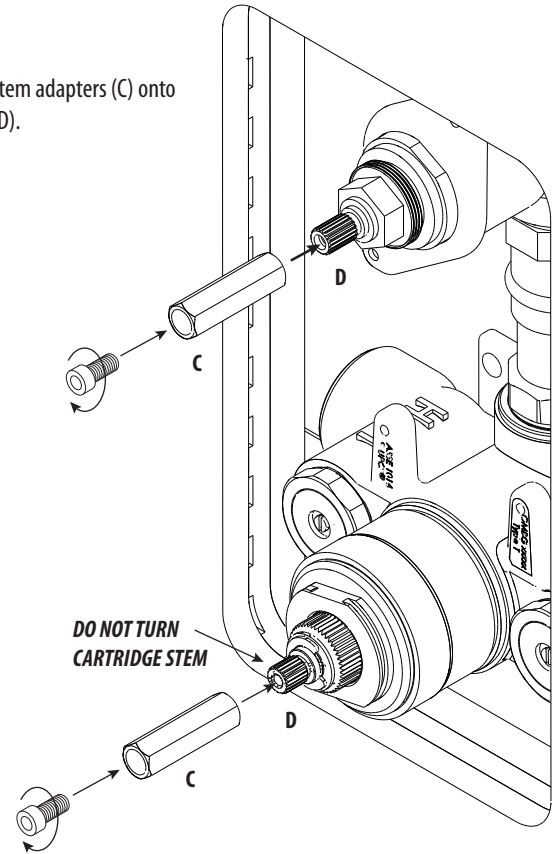
1.

Remove and discard mud guards (A) from rough-in valve 10120 (B).



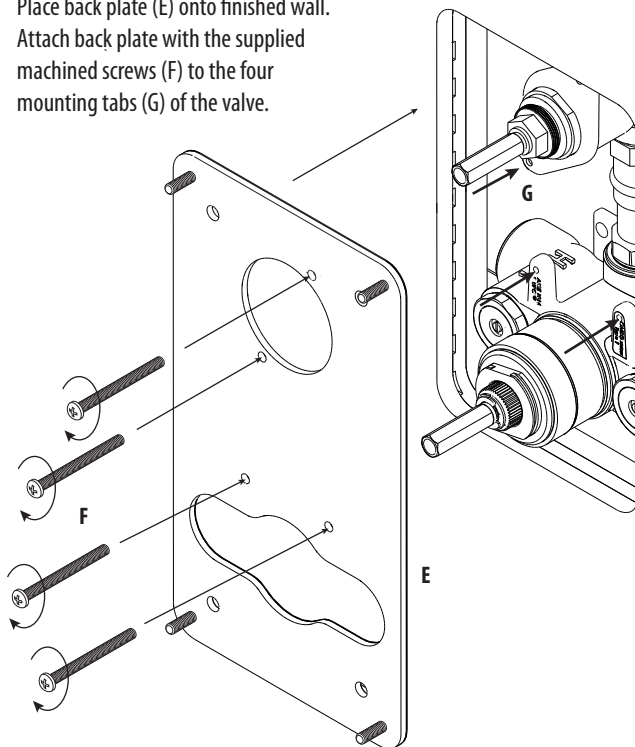
2.

Install stem adapters (C) onto valves (D).



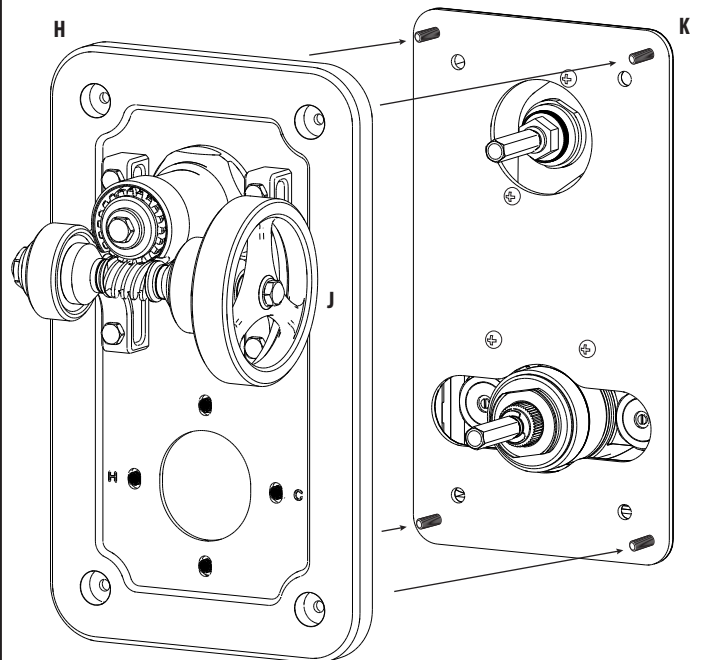
3.

Place back plate (E) onto finished wall. Attach back plate with the supplied machined screws (F) to the four mounting tabs (G) of the valve.



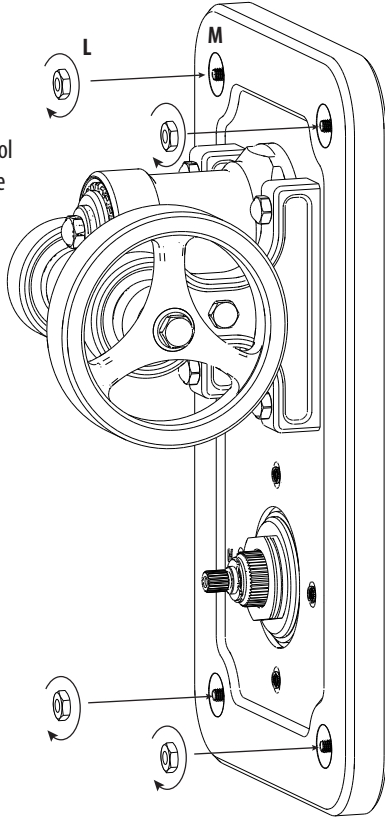
4.

Place trim plate with volume control handle assembly (H) onto wall. Rotate volume control handle (J) until stem adapter aligns to hex stem adapter. Push against wall until trim plate aligns to pem-studs (K) on back plate.



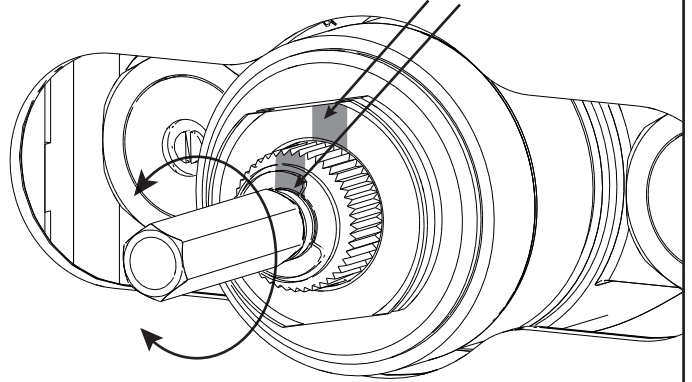
5.

Hand tighten hex nuts (L) onto pem-studs (M) and ensure no binding is occurring on volume control handle. Tighten down once movement of handle is desired.



6.

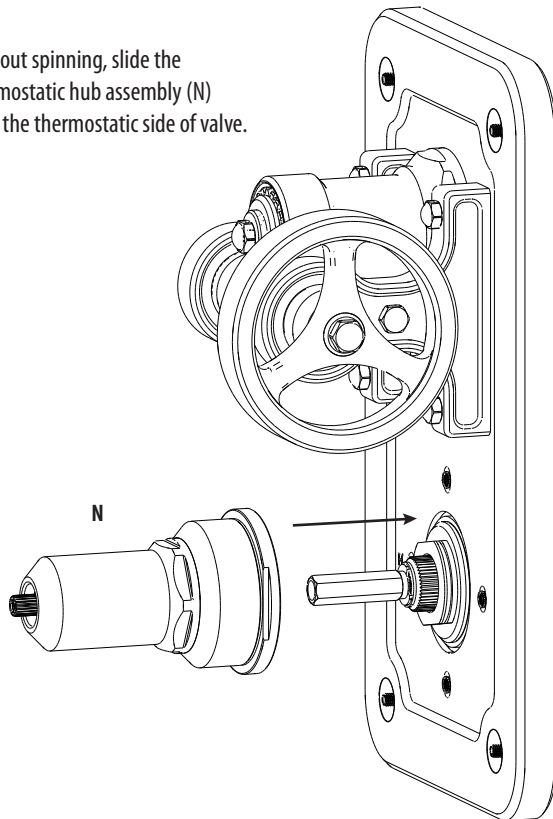
RED MARKS



Before attaching thermostatic hub assembly, ensure the two red marks on the stem adapter and the valve are vertically aligned.

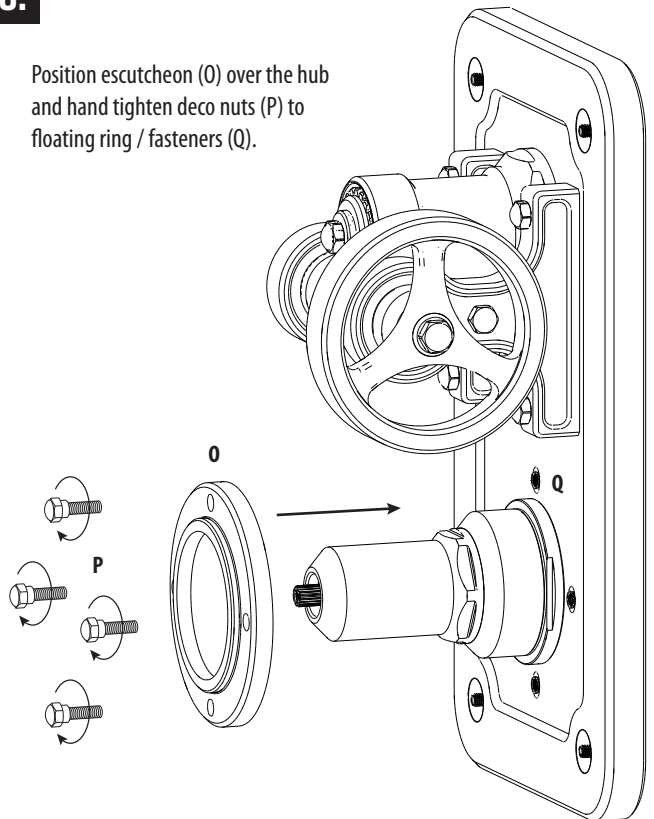
7.

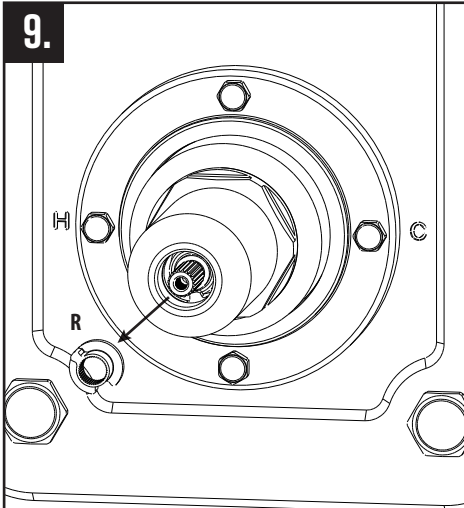
Without spinning, slide the thermostatic hub assembly (N) onto the thermostatic side of valve.



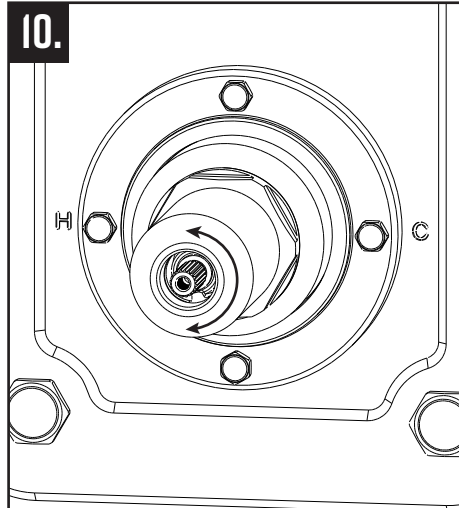
8.

Position escutcheon (O) over the hub and hand tighten deco nuts (P) to floating ring / fasteners (Q).

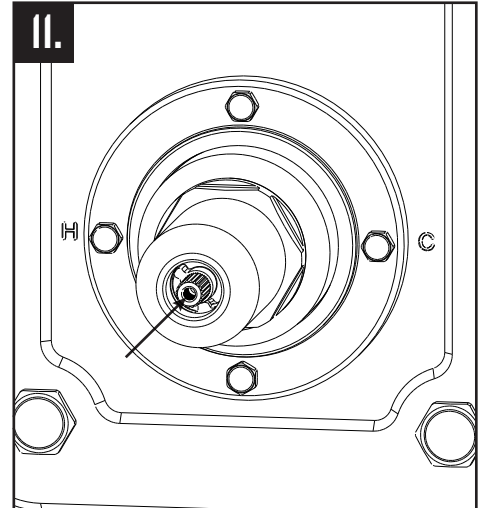




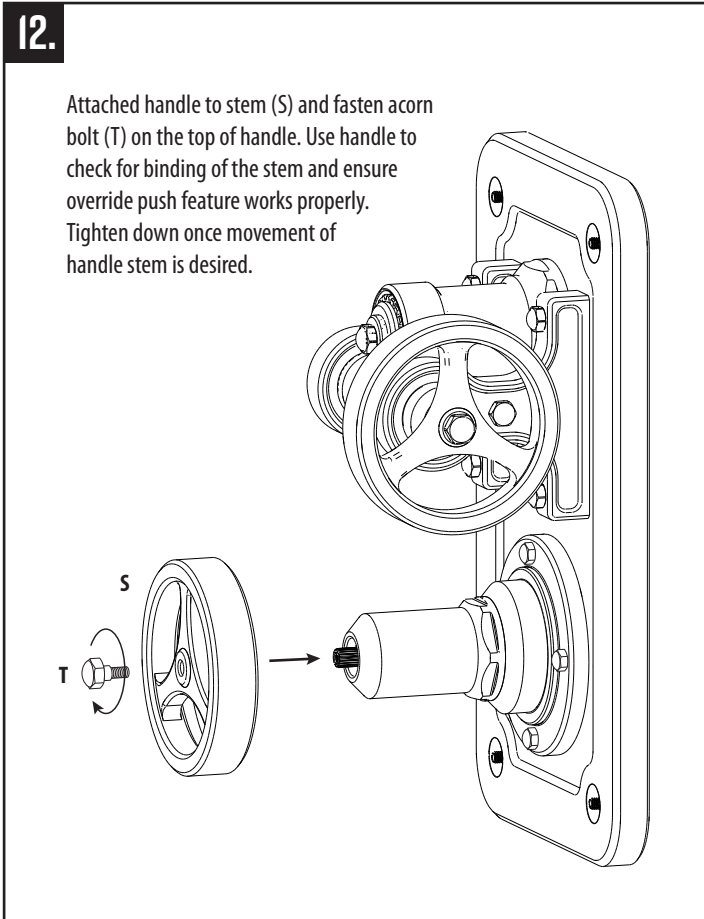
If temperature needs to be adjusted, locate temperature limit stop (R) in the end of the thermostatic hub. Remove from assembly.  
**NOTE:** The safe and factory set temperature is 100°F. Open shut-off valve and verify water temperature at outlet device by using a thermometer.



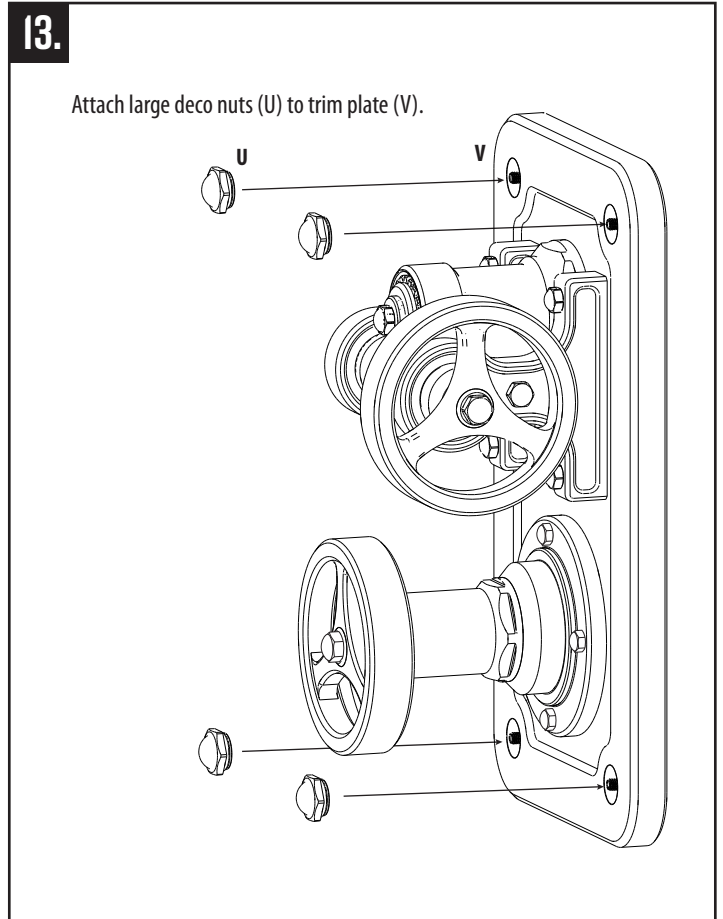
Rotate cartridge stem to adjust temperature: (clockwise = colder, counterclockwise = hotter).  
**ATTENTION:** It is the installer's responsibility to verify correct temperature setting to prevent any risk of scalding prior to consumer use.



Reinstall temperature limit stop onto stem. Verify push override feature is free for movement.



Attached handle to stem (S) and fasten acorn bolt (T) on the top of handle. Use handle to check for binding of the stem and ensure override push feature works properly. Tighten down once movement of handle stem is desired.



Attach large deco nuts (U) to trim plate (V).